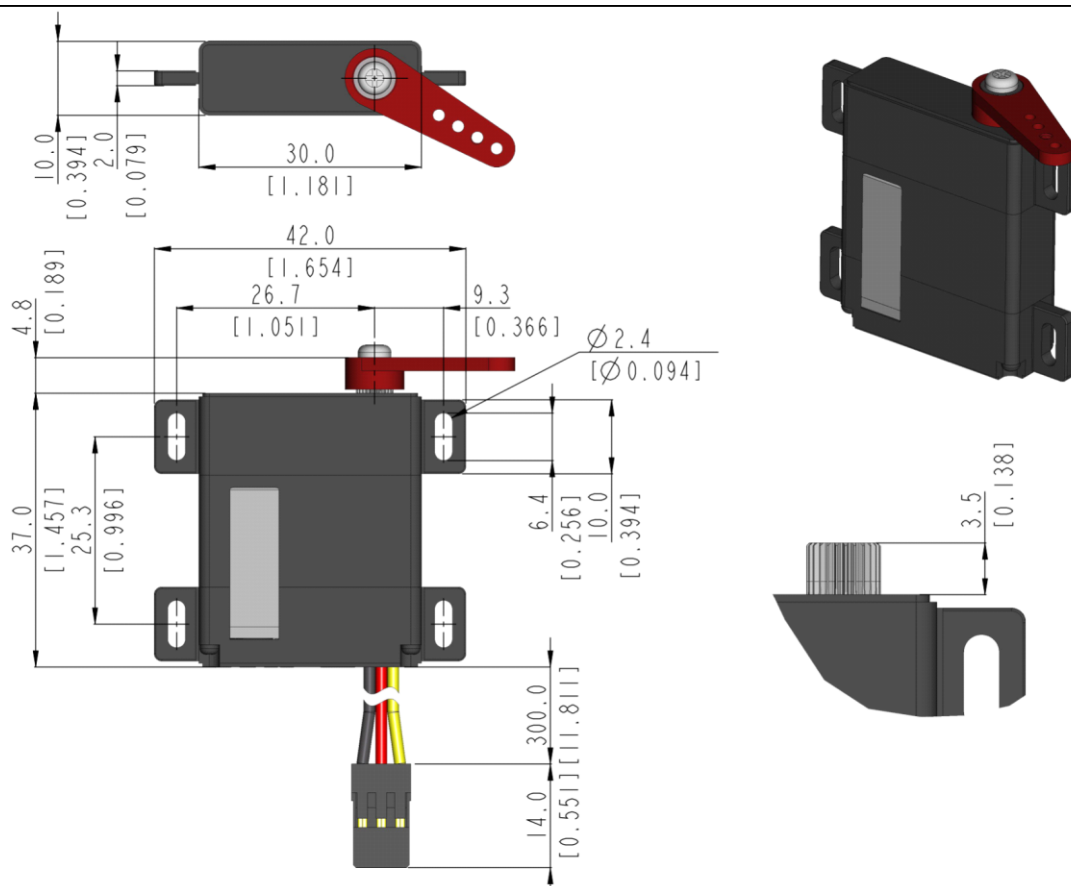


# D145SW General Specification.



Control System	PWM/TTL(Half Duplex)			-
Position Sensor Type	Contact Analog Potentiometer			-
Motor Type	Cored Carbon Brush			At the Max voltage, it is recommended to be used only for a short time duration.
Operating Voltage Range	3.5 ~ 8.4V			
Voltage	4.8V	6.0V	7.4V	At 25°C(±10%), 45%RH(±10%) <u>measurement environment</u>
No Load Speed	0.21sec/60°	0.17sec/60°	0.14sec/60°	
Stall Torque	4.9kgf-cm (68.05oz-in)	5.9kgf-cm (81.94oz-in)	7.0kgf-cm (97.21oz-in)	
Peak Efficiency Torque	1.0kgf-cm (13.61oz-in)	1.2kgf-cm (16.39oz-in)	1.4kgf-cm (19.44oz-in)	
Standing Current	30mA	30mA	30mA	
No Load Running Current	200mA	230mA	260mA	
Stall Current	1,600mA	2,000mA	2,500mA	
Deadband	2μs	2μs	2μs	
Operating Travel	Default: ±60°, Programmable: Max 175° / Pulse Width: 900~2100μs(Center:1500μs)			-
Continuous Rotation	n/a			-
Operating Temperature Range	-20°C ~ +60°C (-4°F ~ +140°F)			-
Storage Temperature Range	-30°C ~ +80°C (-22°F ~ +176°F)			-
Connector Wire Length	300mm (11.811inch)			 <ul style="list-style-type: none"> <li>1. SIGNAL</li> <li>2. VCC</li> <li>3. GND</li> </ul>
Connector Wire Gauge	24AWG			
Dimensions	30.0mm x 10.0mm x 37.0mm (1.181inch x 0.394inch x 1.457inch)			General Tolerance ±0.1mm
Weight	24.0g (0.847oz)			Excluding the weight of Horn
Bearing Type	2 Ball Bearing			-
Case Material	Engineering Plastic			-
Gear Material	1 Metal-Plastic & 4 Steel Gears			-
Gear Train Backlash	Max 0.5°			-
Horn Gear Spline	M25T(Ø5)			-
IP-Rating	IP4X			-
Servo Amplifier Type	32bit programmable Digital			-



1:1 scale (Unit : mm[inch])

- This product should not be used directly on the human body for medical purposes.
- All specifications are subject to change without notice.



9001:2015  
14001:2015  
CERTIFIED



HitecCS.com