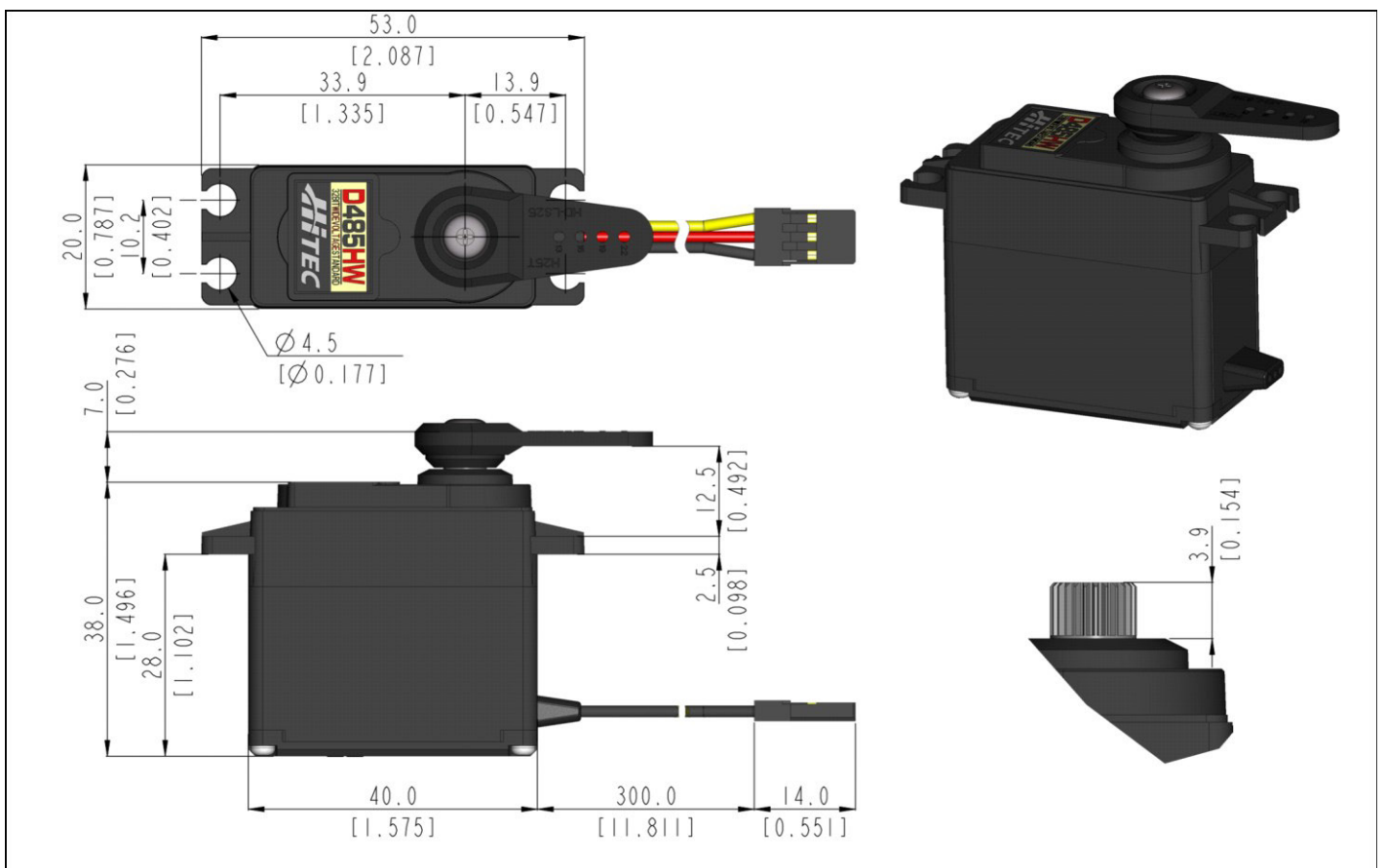


# D485HW General Specification.



|                             |  |                        |                         |   |
|-----------------------------|--|------------------------|-------------------------|---|
| Control System              | PWM/TTL(Half Duplex)   |                        |                         | -   |
| Position Sensor Type        | Contact Analog Potentiometer   |                        |                         | -   |
| Motor Type                  | Cored Metal Brush  |                        |                         | At the Max voltage, it is recommended to be used only for a short time duration.  |
| Operating Voltage Range     | 3.5 ~ 8.4V   |                        |                         |   |
| Voltage                     | 4.8V   | 6.0V                   | 7.4V                    | At 25°C(±10%), 45%RH(±10%)<br><u>measurement environment</u>  |
| No Load Speed               | 0.20sec/60°  | 0.17sec/60°            | 0.15sec/60°             |   |
| Stall Torque                | 5.2kgf-cm (72.21oz-in)   | 6.4kgf-cm (88.88oz-in) | 7.5kgf-cm (104.16oz-in) |   |
| Peak Efficiency Torque      | 1.0kgf-cm (14.44oz-in)   | 1.3kgf-cm (17.78oz-in) | 1.5kgf-cm (20.83oz-in)  |   |
| Standing Current            | 30mA   | 30mA                   | 30mA                    |   |
| No Load Running Current     | 250mA  | 280mA                  | 320mA                   |   |
| Stall Current               | 1,000mA  | 1,200mA                | 1,500mA                 |   |
| Deadband                    | 2μs  | 2μs                    | 2μs                     |   |
| Operating Travel            | Default: ±60°, Programmable: Max 175° / Pulse Width: 900~2100μs(Center:1500μs) |                        |                         | -   |
| Continuous Rotation         | n/a  |                        |                         | -   |
| Operating Temperature Range | -20°C ~ +60°C (-4°F ~ +140°F)  |                        |                         | -   |
| Storage Temperature Range   | -30°C ~ +80°C (-22°F ~ +176°F)   |                        |                         | -   |
| Connector Wire Length       | 300mm (11.811inch)   |                        |                         |  <ul style="list-style-type: none"> <li>1. SIGNAL</li> <li>2. VCC</li> <li>3. GND</li> </ul> |
| Connector Wire Gauge        | 24AWG  |                        |                         |   |
| Dimensions                  | 40.0mm x 20.0mm x 38.0mm (1.575inch x 0.787inch x 1.496inch)                   |                        |                         | General Tolerance ±0.1mm  |
| Weight                      | 45.0g (1.587oz)  |                        |                         | Excluding the weight of Horn  |
| Bearing Type                | 2 Ball Bearing   |                        |                         | -   |
| Case Material               | Engineering Plastic  |                        |                         | -   |
| Gear Material               | 4 Heavy Duty Resin Gears   |                        |                         | -   |
| Gear Train Backlash         | Max 0.5°   |                        |                         | -   |
| Horn Gear Spline            | 25T(Ø6)  |                        |                         | -   |
| IP-Rating                   | IP54   |                        |                         | -   |
| Servo Amplifier Type        | 32bit programmable Digital   |                        |                         | -   |



1:1 scale (Unit : mm[inch])

- This product should not be used directly on the human body for medical purposes.
- All specifications are subject to change without notice.



9001:2015  
14001:2015  
CERTIFIED



HitecCS.com