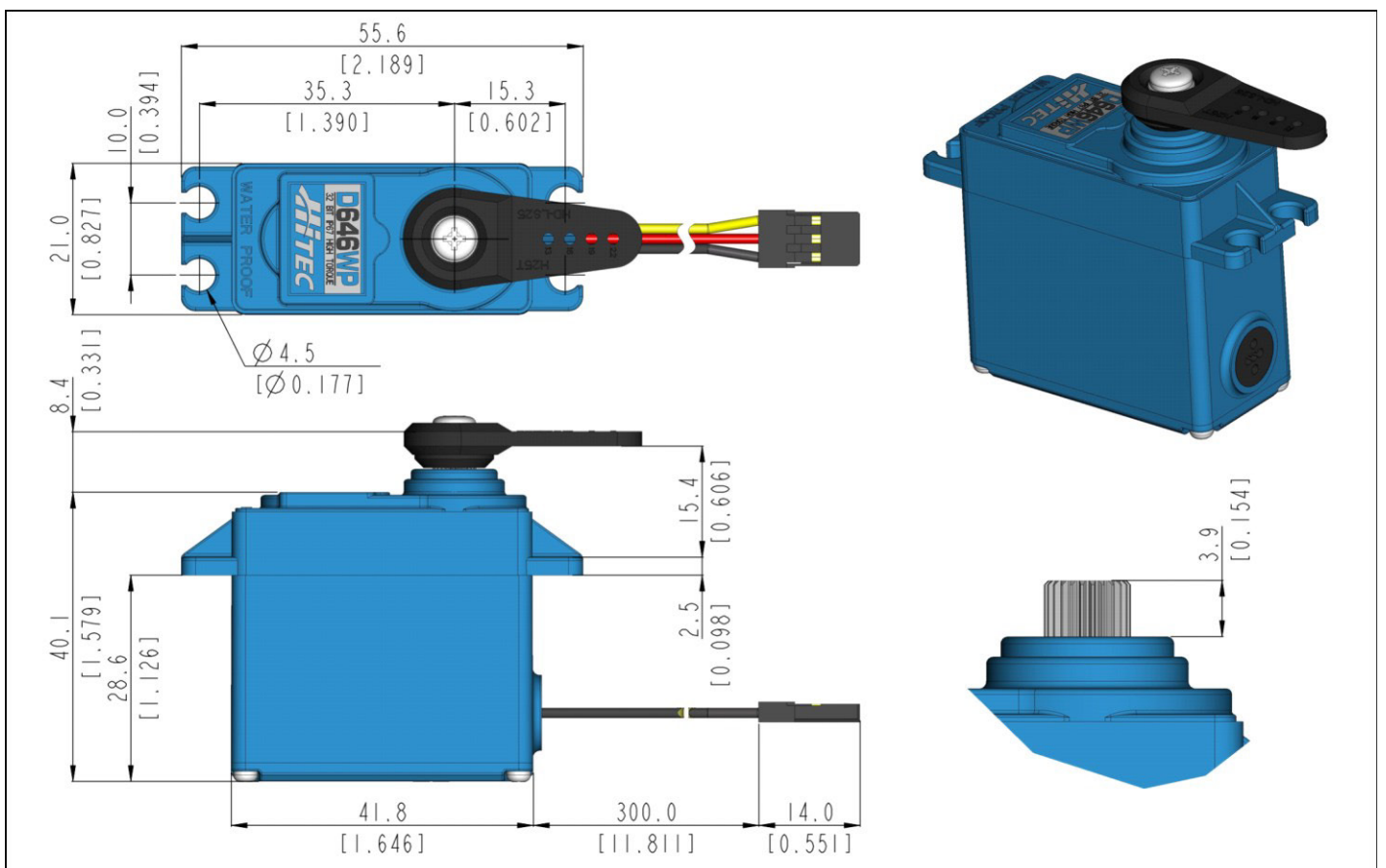


D646WP General Specification.



Control System	PWM/TTL(Half Duplex)			-
Position Sensor Type	Contact Analog Potentiometer			-
Motor Type	Cored Carbon Brush			At the Max voltage, it is recommended to be used only for a short time duration.
Operating Voltage Range	3.5 ~ 8.4V			
Voltage	4.8V	6.0V	7.4V	At 25°C(±10%), 45%RH(±10%) <u>measurement environment</u>
No Load Speed	0.24sec/60°	0.19sec/60°	0.16sec/60°	
Stall Torque	7.5kgf-cm (104.16oz-in)	9.6kgf-cm (133.32oz-in)	11.6kgf-cm (161.09oz-in)	
Peak Efficiency Torque	1.5kgf-cm (20.83oz-in)	1.9kgf-cm (26.66oz-in)	2.3kgf-cm (32.22oz-in)	
Standing Current	30mA	30mA	30mA	
No Load Running Current	270mA	300mA	330mA	
Stall Current	1,500mA	1,800mA	2,200mA	
Deadband	2μs	2μs	2μs	
Operating Travel	Default: ±60°, Programmable: Max 175° / Pulse Width: 900~2100μs(Center:1500μs)			-
Continuous Rotation	n/a			-
Operating Temperature Range	-20°C ~ +60°C (-4°F ~+140°F)			-
Storage Temperature Range	-30°C ~ +80°C (-22°F ~+176°F)			-
Connector Wire Length	300mm (11.811inch)			 <ul style="list-style-type: none"> 1. SIGNAL 2. VCC 3. GND
Connector Wire Gauge	22AWG			
Dimensions	41.8mm x 21.0mm x 40.1mm (1.646inch x 0.827inch x 1.579inch)			General Tolerance ±0.1mm
Weight	61.0g (2.152oz)			Excluding the weight of Horn
Bearing Type	2 Ball Bearing			-
Case Material	Engineering Plastic			-
Gear Material	1 Metal-Plastic & 3 Metal Gears			-
Gear Train Backlash	Max 0.5°			-
Horn Gear Spline	25T(Ø6)			-
IP-Rating	IP67			-
Servo Amplifier Type	32bit programmable Digital			-



1:1 scale (Unit : mm[inch])

- This product should not be used directly on the human body for medical purposes.
- All specifications are subject to change without notice.



HitecCS.com