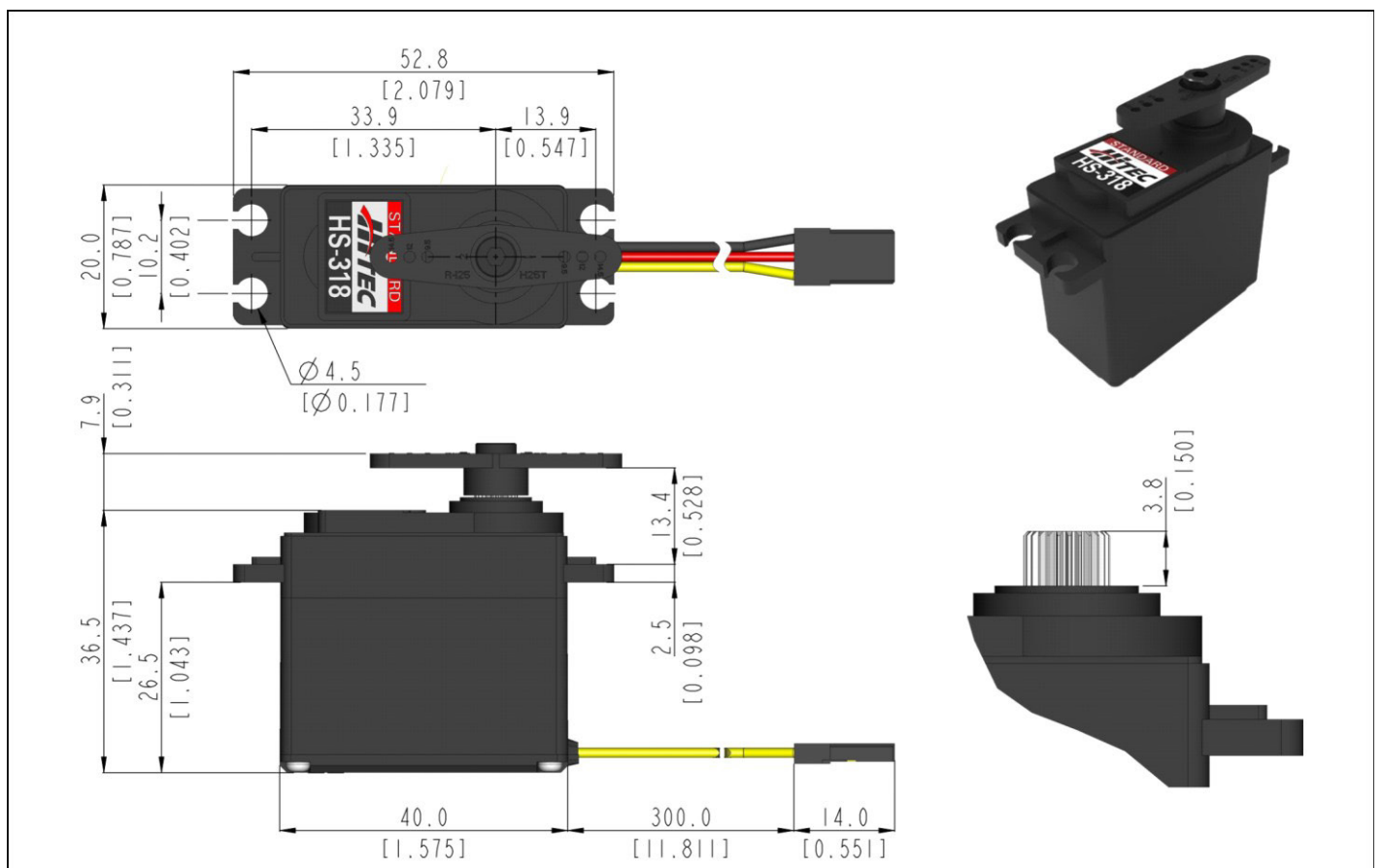


HS-318 General Specification.



Control System	PWM			-	
Position Sensor Type	Contact Analog Potentiometer			-	
Motor Type	Cored Metal Brush			-	
Operating Voltage Range	4.8 ~ 6.0V			-	
Voltage	4.8V	6.0V	-	At 25°C(±10%), 45%RH(±10%) measurement environment	
No Load Speed	0.19sec/60°	0.15sec/60°	-		
Stall Torque	3.0kgf·cm (41.66oz-in)	3.7kgf·cm (51.38oz-in)	-		
Peak Efficiency Torque	0.6kgf·cm (8.3 oz-in)	0.7kgf·cm (9.7 oz-in)	-		
Standing Current	7mA	8mA	-		
No Load Running Current	160mA	180mA	-		
Stall Current	700mA	800mA	-		
Deadband	5μs	5μs	-		
Operating Travel	Default: ±60°, Non-programmable / Pulse Width: 900~2100μs(Center:1500μs)				-
Continuous Rotation	n/a				-
Operating Temperature Range	-20°C ~ +60°C (-4°F ~+140°F)			-	
Storage Temperature Range	-30°C ~ +80°C (-22°F ~+176°F)			-	
Connector Wire Length	300mm (11.811inch)			 <ul style="list-style-type: none"> 1. SIGNAL 2. VCC 3. GND 	
Connector Wire Gauge	24WAG				
Dimensions	40.0mm x 20.0mm x 37.0mm (1.575inch x 0.787inch x 1.457inch)			General Tolerance ±0.1mm	
Weight	43.0g (1.517oz)			Excluding the weight of Horn	
Bearing Type	1 Resin Bushing			-	
Case Material	Engineering Plastic			-	
Gear Material	4 Resin Gears			-	
Gear Train Backlash	Max 0.5°			-	
Horn Gear Spline	25T(Ø6.0)			-	
IP-Rating	IP4X			-	
Servo Amplifier Type	Analog Contorller			-	



1:1 scale (Unit : mm[inch])

- This product should not be used directly on the human body for medical purposes.
- All specifications are subject to change without notice.



9001:2015
14001:2015
CERTIFIED



HitecCS.com