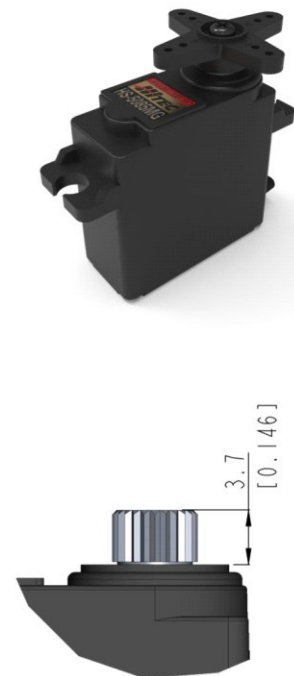
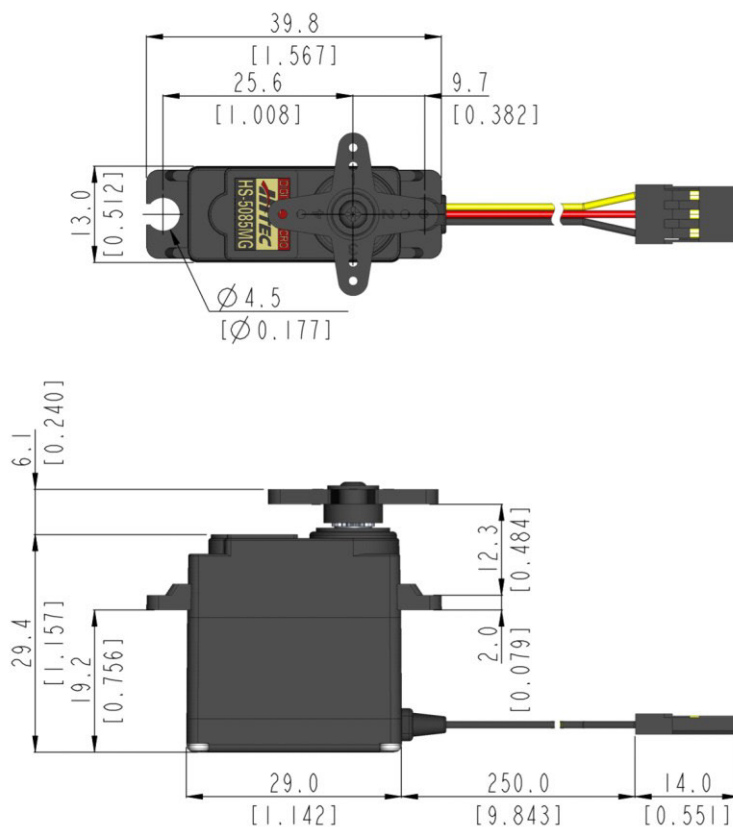


# HS-5085MG General Specification.



Control System	PWM			-
Position Sensor Type	Contact Analog Potentiometer			-
Motor Type	Cored Metal Brush			At the Max voltage, it is recommended to be used only for a short time duration.
Operating Voltage Range	3.5 ~ 8.4V			
Voltage	4.8V	6.0V	-	At 25°C(±10%), 45%RH(±10%) <u>measurement environment</u>
No Load Speed	0.17sec/60°	0.13sec/60°	-	
Stall Torque	3.6kgf-cm (50.0 oz-in)	4.3kgf-cm (59.7 oz-in)	-	
Peak Efficiency Torque	0.7kgf-cm (9.7 oz-in)	0.9kgf-cm (12.5 oz-in)	-	
Standing Current	3mA	3mA	-	
No Load Running Current	220mA	280mA	-	
Stall Current	1,450mA	1,800mA	-	
Deadband	2μs	2μs	-	
Operating Travel	Default: ±60°, Programmable: Max 175° / Pulse Width: 900~2100μs(Center:1500μs)			
Continuous Rotation	n/a			
Operating Temperature Range	-20°C ~ +60°C (-4°F ~ +140°F)			-
Storage Temperature Range	-30°C ~ +80°C (-22°F ~ +176°F)			-
Connector Wire Length	250mm (9.843inch)			
Connector Wire Gauge	28AWG			
Dimensions	29.0mm x 13.0mm x 29.4mm (1.142inch x 0.512inch x 1.157inch)			General Tolerance ±0.1mm
Weight	21.9g (0.773oz)			Excluding the weight of Horn
Bearing Type	1 Ball Bearing			-
Case Material	Engineering Plastic			-
Gear Material	1 Resin & 4 Metal Gears			-
Gear Train Backlash	Max 0.5°			-
Horn Gear Spline	24T(Ø6)			-
IP-Rating	IP4X			-
Servo Amplifier Type	8bit Programmable Digital			-



1:1 scale (Unit : mm[inch])

- This product should not be used directly on the human body for medical purposes.
- All specifications are subject to change without notice.



9001:2015  
14001:2015  
CERTIFIED



HitecCS.com