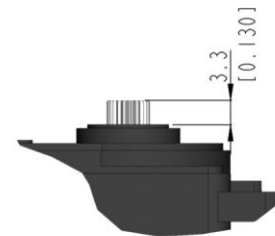
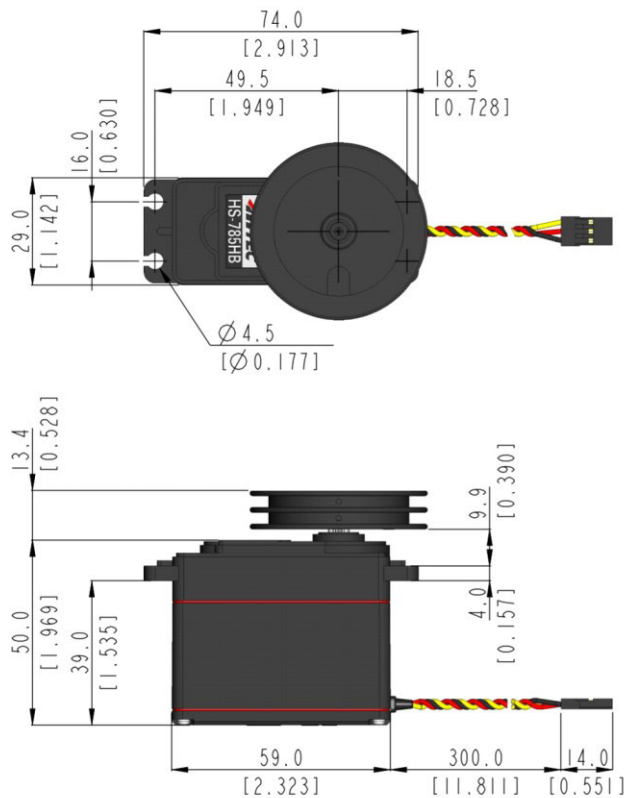


HS-785HB General Specification.



| | | | | |
|-----------------------------|--|--------------------------|---|---|
| Control System | PWM | | | - |
| Position Sensor Type | Contact Analog Potentiometer | | | - |
| Motor Type | Cored Metal Brush | | | At 25°C(±10%), 45%RH(±10%) measurement environment |
| Operating Voltage Range | 4.8 ~ 6.0V | | | |
| Voltage | 4.8V | 6.0V | - | |
| No Load Speed | 1.68sec/360° | 1.38sec/360° | - | |
| Stall Torque | 11.0kgf-cm (152.76oz-in) | 13.2kgf-cm (183.31oz-in) | - | |
| Peak Efficiency Torque | 2.2kgf-cm (30.6 oz-in) | 2.6kgf-cm (36.1 oz-in) | - | |
| Standing Current | 8mA | 8mA | - | |
| No Load Running Current | 230mA | 250mA | - | |
| Stall Current | 1,500mA | 1,800mA | - | |
| Deadband | 5μs | 5μs | - | |
| Operating Travel | Default: ±2.625 Turns, Non-programmable / Pulse Width: 900~2100μs(Center:1500μs) | | | - |
| Continuous Rotation | n/a | | | - |
| Operating Temperature Range | -20°C ~ +60°C (-4°F ~ +140°F) | | | - |
| Storage Temperature Range | -30°C ~ +80°C (-22°F ~ +176°F) | | | - |
| Connector Wire Length | 300mm (11.811inch) | | | |
| Connector Wire Gauge | 22AWG | | | |
| Dimensions | 59.0mm x 29.0mm x 50.0mm (2.323inch x 1.142inch x 1.969inch) | | | General Tolerance ±0.1mm |
| Weight | 110.0g (3.880oz) | | | Excluding the weight of Horn |
| Bearing Type | 2 Ball Bearing | | | - |
| Case Material | Engineering Plastic | | | - |
| Gear Material | 4 Heavy Duty Resin Gears | | | - |
| Gear Train Backlash | Max 0.5° | | | - |
| Horn Gear Spline | 24T(Ø6) | | | - |
| IP-Rating | IP54 | | | - |
| Servo Amplifier Type | Analog Contorller | | | - |



1:2 scale (Unit : mm[inch])

- This product should not be used directly on the human body for medical purposes.
- All specifications are subject to change without notice.



HitecCS.com