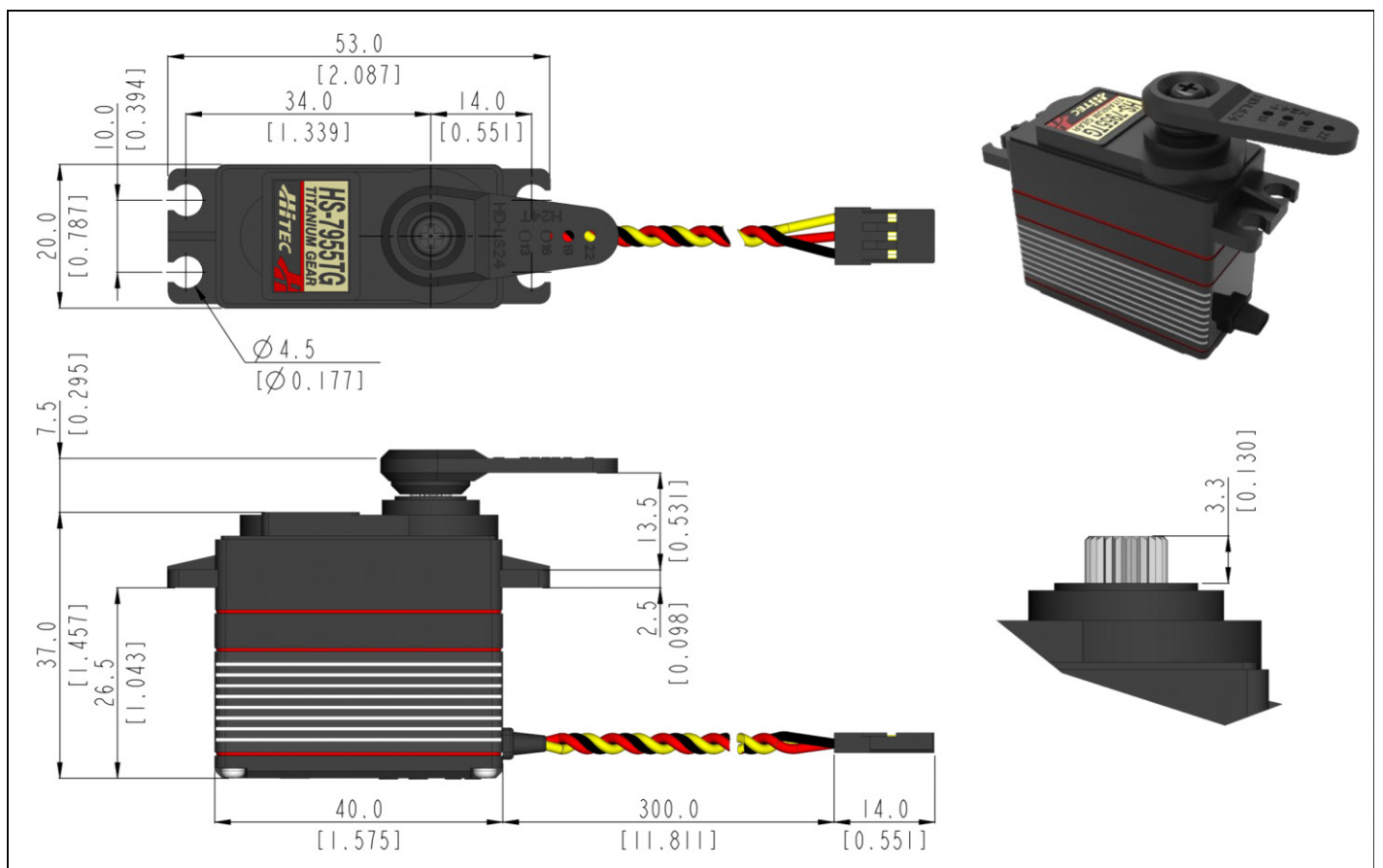


HS-7955TG General Specification.



| | | | | | |
|-----------------------------|--|--------------------------|---|--|---------------------------------|
| Control System | PWM | | | - | |
| Position Sensor Type | Contact Analog Potentiometer | | | - | |
| Motor Type | Coreless | | | At the Max voltage, it is recommended to be used only for a short time duration. | |
| Operating Voltage Range | 3.5 ~ 8.4V | | | | |
| Voltage | 4.8V | 6.0V | - | At 25°C(±10%), 45%RH(±10%) <u>measurement environment</u> | |
| No Load Speed | 0.19sec/60° | 0.15sec/60° | - | | |
| Stall Torque | 18.0kgf-cm (250.0 oz-in) | 24.0kgf-cm (333.3 oz-in) | - | | |
| Peak Efficiency Torque | 3.6kgf-cm (50.0 oz-in) | 4.8kgf-cm (66.7 oz-in) | - | | |
| Standing Current | 9mA | 9mA | - | | |
| No Load Running Current | 220mA | 300mA | - | | |
| Stall Current | 3,400mA | 4,200mA | - | | |
| Deadband | 1μs | 1μs | - | | |
| Operating Travel | Default: ±60°, Programmable: Max 175° / Pulse Width: 900~2100μs(Center:1500μs) | | | | Based on resolution normal mode |
| Continuous Rotation | n/a | | | | - |
| Operating Temperature Range | -20°C ~ +60°C (-4°F ~ +140°F) | | | - | |
| Storage Temperature Range | -30°C ~ +80°C (-22°F ~ +176°F) | | | - | |
| Connector Wire Length | 300mm (11.811inch) | | | | |
| Connector Wire Gauge | 22AWG | | | | |
| Dimensions | 40.0mm x 20.0mm x 37.0mm (1.575inch x 0.787inch x 1.457inch) | | | General Tolerance ±0.1mm | |
| Weight | 65.0g (2.293oz) | | | Excluding the weight of Horn | |
| Bearing Type | 2 Ball Bearing | | | - | |
| Case Material | Engineering Plastic & Aluminum Heat Sink | | | - | |
| Gear Material | 1 Metal-Plastic & 3 Titanium Alloy Gears | | | - | |
| Gear Train Backlash | Max 0.5° | | | - | |
| Horn Gear Spline | 24T(Ø6) | | | - | |
| IP-Rating | IP54 | | | - | |
| Servo Amplifier Type | 8bit Programmable Digital | | | - | |



1:1 scale (Unit : mm[inch])

- This product should not be used directly on the human body for medical purposes.
- All specifications are subject to change without notice.



9001:2015
14001:2015
CERTIFIED



HitecCS.com