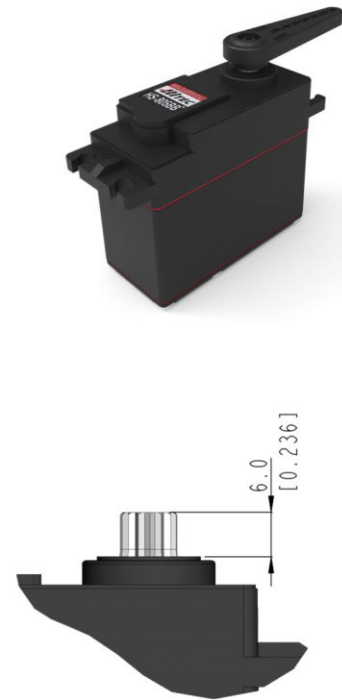
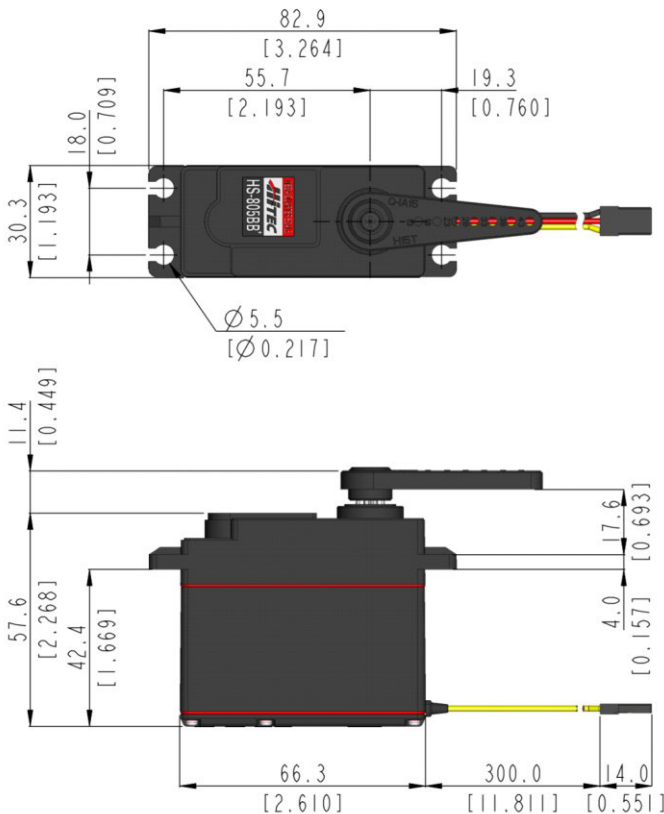


HS-805BB General Specification.



Control System	PWM			-
Position Sensor Type	Contact Analog Potentiometer			-
Motor Type	Cored Carbon brush			At 25°C(±10%), 45%RH(±10%) <u>measurement environment</u>
Operating Voltage Range	4.8 ~ 6.0V			
Voltage	4.8V	6.0V	-	
No Load Speed	0.19sec/60°	0.14sec/60°	-	
Stall Torque	19.8kgf-cm (274.97oz-in)	24.7kgf-cm (343.02oz-in)	-	
Peak Efficiency Torque	4.0kgf-cm (55.5 oz-in)	4.9kgf-cm (68.0 oz-in)	-	
Standing Current	8mA	8mA	-	
No Load Running Current	700mA	700mA	-	
Stall Current	-	-	-	
Deadband	8μs	8μs	-	
Operating Travel	Default: ±67.5°, Non-programmable / Pulse Width: 900~2100μs(Center:1500μs)			
Continuous Rotation	n/a			
Operating Temperature Range	-20°C ~ +60°C (-4°F ~ +140°F)			
Storage Temperature Range	-30°C ~ +80°C (-22°F ~ +176°F)			
Connector Wire Length	300mm (11.811inch)			
Connector Wire Gauge	22AWG			
Dimensions	66.3mm x 30.3mm x 57.6mm (2.610inch x 1.193inch x 2.268inch)			General Tolerance ±0.1mm
Weight	152.0g (5.362oz)			Excluding the weight of Horn
Bearing Type	2 Ball Bearing			-
Case Material	Engineering Plastic			-
Gear Material	5 Resin Gears			-
Gear Train Backlash	Max 0.5°			-
Horn Gear Spline	15T(Ø8)			-
IP-Rating	IP54			-
Servo Amplifier Type	Analog Contorller			-



1:2 scale (Unit : mm[inch])

- This product should not be used directly on the human body for medical purposes.
- All specifications are subject to change without notice.



9001:2015
14001:2015
CERTIFIED



HitecCS.com