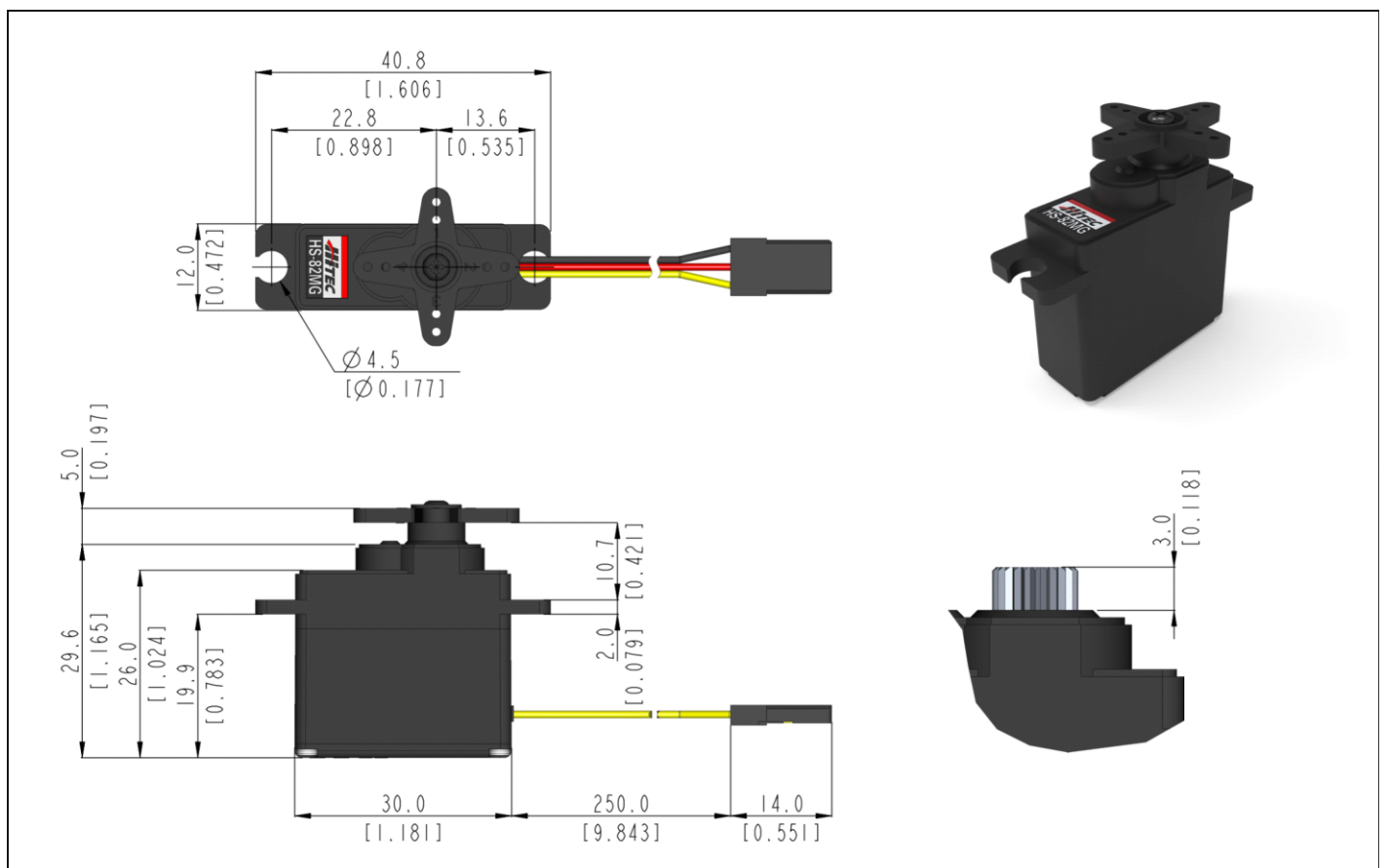


HS-82MG General Specification.



Control System	PWM			-
Position Sensor Type	Contact Analog Potentiometer			-
Motor Type	Cored Metal Brush			At 25°C(±10%), 45%RH(±10%) <u>measurement environment</u>
Operating Voltage Range	4.8 ~ 6.0V			
Voltage	4.8V	6.0V	-	
No Load Speed	0.12sec/60°	0.10sec/60°	-	
Stall Torque	2.8kgf-cm (38.88oz-in)	3.4kgf-cm (47.22oz-in)	-	
Peak Efficiency Torque	0.6kgf-cm (8.3 oz-in)	0.7kgf-cm (9.7 oz-in)	-	
Standing Current	10mA	10mA	-	
No Load Running Current	220mA	280mA	-	
Stall Current	1,450mA	1,800mA	-	
Deadband	5μs	5μs	-	
Operating Travel	Default: ±60°, Non-programmable / Pulse Width: 900~2100μs(Center:1500μs)			-
Continuous Rotation	n/a			-
Operating Temperature Range	-20°C ~ +60°C (-4°F ~+140°F)			-
Storage Temperature Range	-30°C ~ +80°C (-22°F ~+176°F)			-
Connector Wire Length	250mm (9.843inch)			
Connector Wire Gauge	28AWG			
Dimensions	30.0mm x 12.0mm x 29.6mm (1.181inch x 0.472inch x 1.165inch)			General Tolerance ±0.1mm
Weight	19.0g (0.670oz)			Excluding the weight of Horn
Bearing Type	N/A			-
Case Material	Engineering Plastic			-
Gear Material	4 Metal Gears			-
Gear Train Backlash	Max 0.5°			-
Horn Gear Spline	24T(Ø6)			-
IP-Rating	IP4X			-
Servo Amplifier Type	Analog Contorller			-



1:1 scale (Unit : mm[inch])

- This product should not be used directly on the human body for medical purposes.
- All specifications are subject to change without notice.



9001:2015
14001:2015
CERTIFIED



HitecCS.com