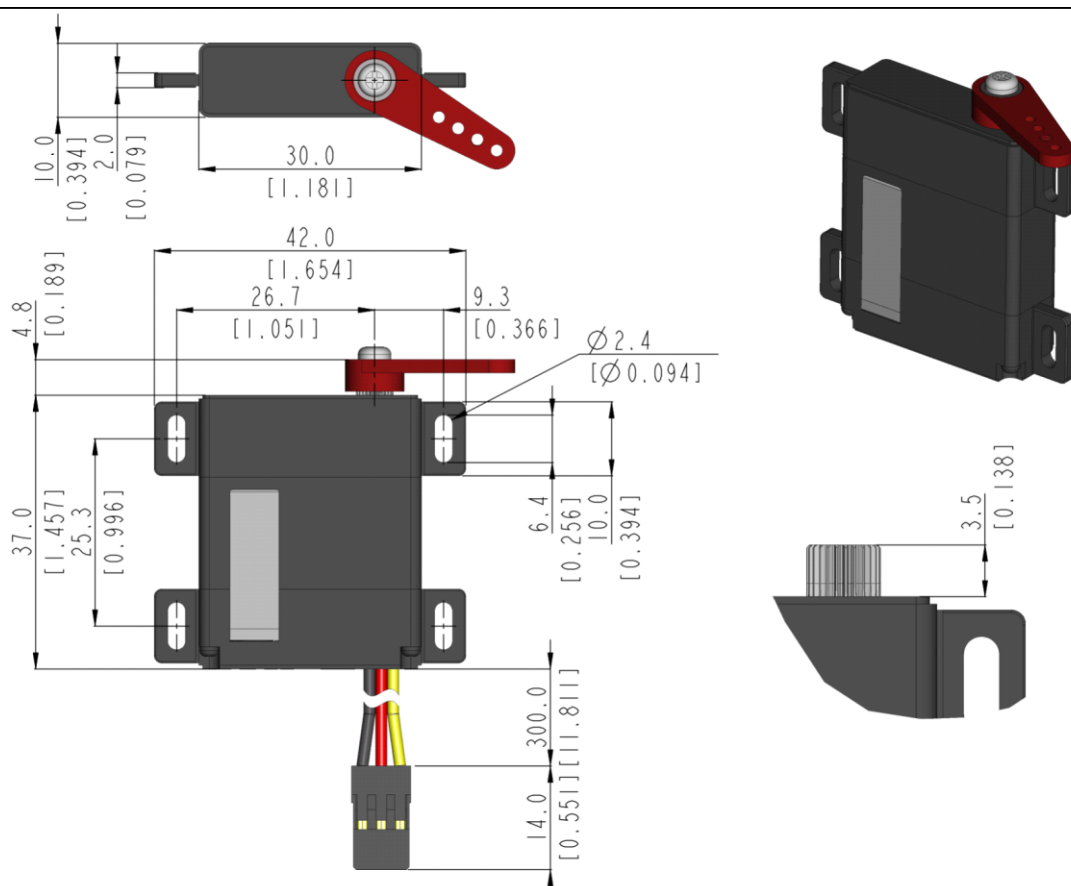


MD145SW General Specification.



| | | | | |
|-----------------------------|--|------------------------|------------------------|---|
| Control System | PWM/TTL(Half Duplex) | | | - |
| Position Sensor Type | Contactless Magnetic Encoder | | | - |
| Motor Type | Cored Carbon Brush | | | At the Max voltage, it is recommended to be used only for a short time duration. |
| Operating Voltage Range | 3.5 ~ 8.4V | | | |
| Voltage | 4.8V | 6.0V | 7.4V | At 25°C(±10%), 45%RH(±10%) <u>measurement environment</u> |
| No Load Speed | 0.21sec/60° | 0.17sec/60° | 0.14sec/60° | |
| Stall Torque | 4.9kgf-cm (68.05oz-in) | 5.9kgf-cm (81.94oz-in) | 7.0kgf-cm (97.21oz-in) | |
| Peak Efficiency Torque | 1.0kgf-cm (13.89oz-in) | 1.2kgf-cm (16.66oz-in) | 1.4kgf-cm (19.44oz-in) | |
| Standing Current | 30mA | 30mA | 30mA | |
| No Load Running Current | 200mA | 230mA | 260mA | |
| Stall Current | 1,600mA | 2,000mA | 2,500mA | |
| Deadband | 2μs | 2μs | 2μs | |
| Operating Travel | Default: ±60°, Programmable: Max 320° / Pulse Width: 900~2100μs(Center:1500μs) | | | - |
| Continuous Rotation | n/a | | | - |
| Operating Temperature Range | -20°C ~ +60°C (-4°F ~ +140°F) | | | - |
| Storage Temperature Range | -30°C ~ +80°C (-22°F ~ +176°F) | | | - |
| Connector Wire Length | 300mm (11.811inch) | | |  <ul style="list-style-type: none"> 1. SIGNAL 2. VCC 3. GND |
| Connector Wire Gauge | 24AWG | | | |
| Dimensions | 30.0mm x 10.0mm x 37.0mm (1.181inch x 0.394inch x 1.457inch) | | | General Tolerance ±0.1mm |
| Weight | 26.5g (0.935oz) | | | Excluding the weight of Horn |
| Bearing Type | 2 Ball Bearing | | | - |
| Case Material | Engineering Plastic | | | - |
| Gear Material | 1 Metal-Plastic & 4 Steel Gears | | | - |
| Gear Train Backlash | Max 0.5° | | | - |
| Horn Gear Spline | M25T(Ø5) | | | - |
| IP-Rating | IP4X | | | - |
| Servo Amplifier Type | 32bit programmable Digital | | | - |



1:1 scale (Unit : mm[inch])

- This product should not be used directly on the human body for medical purposes.
- All specifications are subject to change without notice.
- Be careful as strong magnetic fields may cause malfunction of the product.



9001:2015
14001:2015
CERTIFIED



HitecCS.com