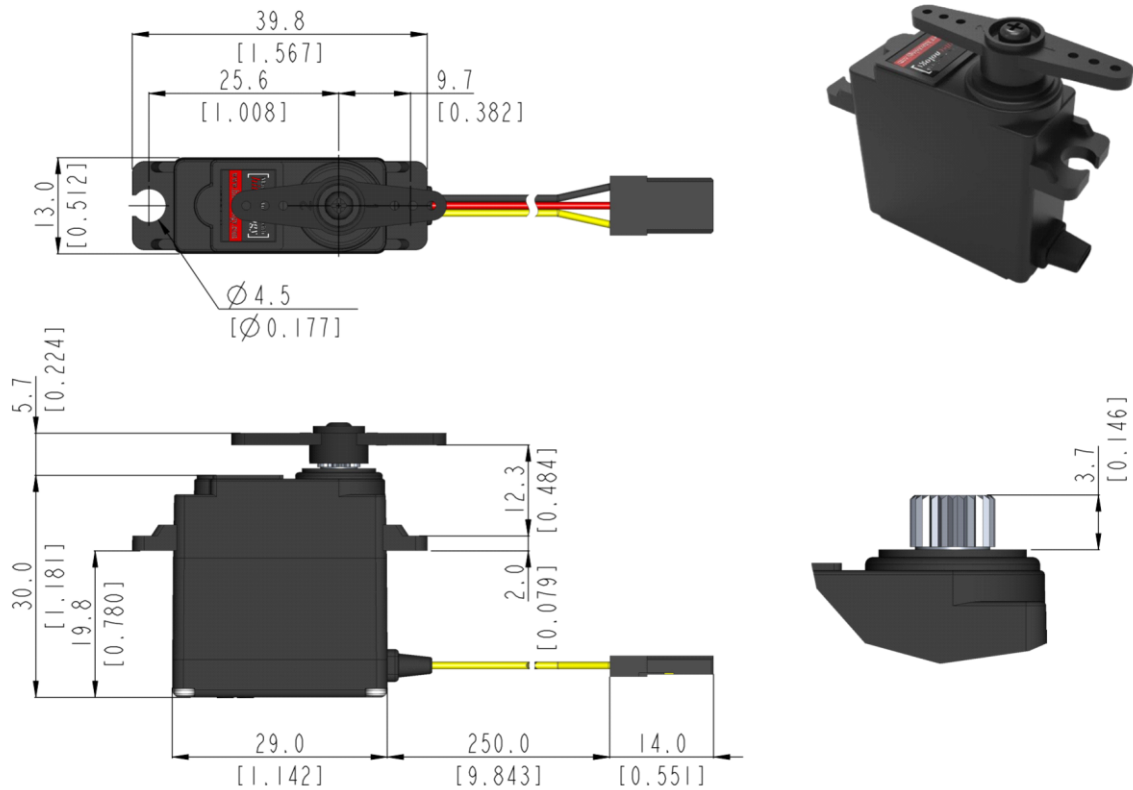


MD85MG General Specification.



Control System	PWM/TTL(Half Duplex)			-	
Position Sensor Type	Contactless Magnetic Encoder			-	
Motor Type	Cored Carbon Brush			At the Max voltage, it is recommended to be used only for a short time duration.	
Operating Voltage Range	3.5 ~ 8.4V				
Voltage	4.8V	6.0V	-	At 25°C(±10%), 45%RH(±10%) <u>measurement environment</u>	
No Load Speed	0.17sec/60°	0.13sec/60°	-		
Stall Torque	3.6kgf-cm (49.99oz-in)	4.3kgf-cm (59.72oz-in)	-		
Peak Efficiency Torque	0.7kgf-cm (9.72oz-in)	0.9kgf-cm (12.5 oz-in)	-		
Standing Current	30mA	30mA	-		
No Load Running Current	260mA	300mA	-		
Stall Current	1,300mA	1,600mA	-		
Deadband	2μs	2μs	-		
Operating Travel	Default: ±60°, Programmable: Max 320° / Pulse Width: 900~2100μs(Center:1500μs)				-
Continuous Rotation	n/a				-
Operating Temperature Range	-20°C ~ +60°C (-4°F ~ +140°F)			-	
Storage Temperature Range	-30°C ~ +80°C (-22°F ~ +176°F)			-	
Connector Wire Length	250mm (9.843inch)				
Connector Wire Gauge	28AWG				
Dimensions	29.0mm x 13.0mm x 30.0mm (1.142inch x 0.512inch x 1.181inch)			General Tolerance ±0.1mm	
Weight	21.5g (0.758oz)			Excluding the weight of Horn	
Bearing Type	1 Ball Bearing			-	
Case Material	Engineering Plastic			-	
Gear Material	5 Metal Gears			-	
Gear Train Backlash	Max 0.5°			-	
Horn Gear Spline	24T(Ø6)			-	
IP-Rating	IP4X			-	
Servo Amplifier Type	32bit programmable Digital			-	



1:1 scale (Unit : mm[inch])

- This product should not be used directly on the human body for medical purposes.
- All specifications are subject to change without notice.
- Be careful as strong magnetic fields may cause malfunction of the product.



HitecCS.com